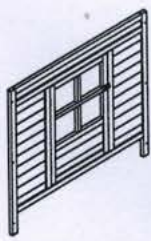
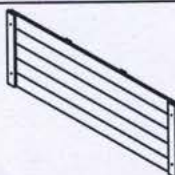
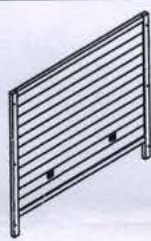
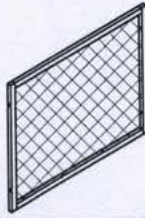
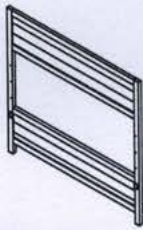
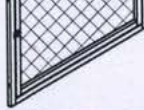

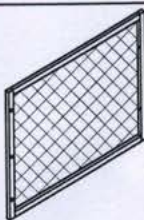

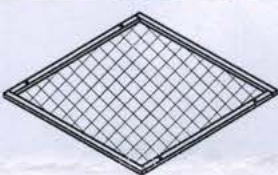

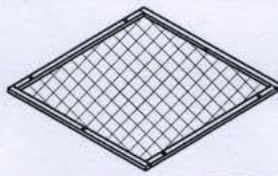

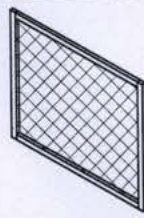
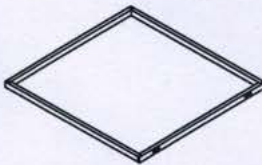


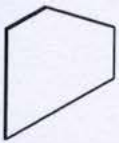

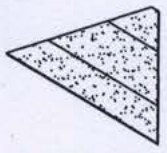









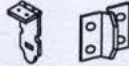
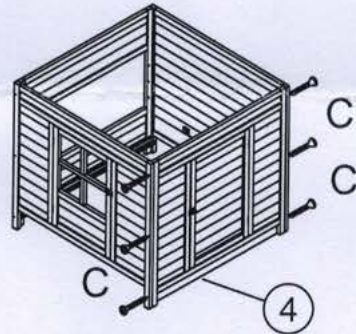
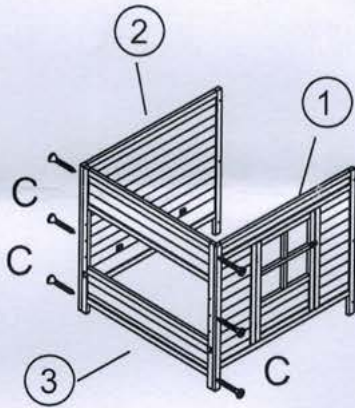


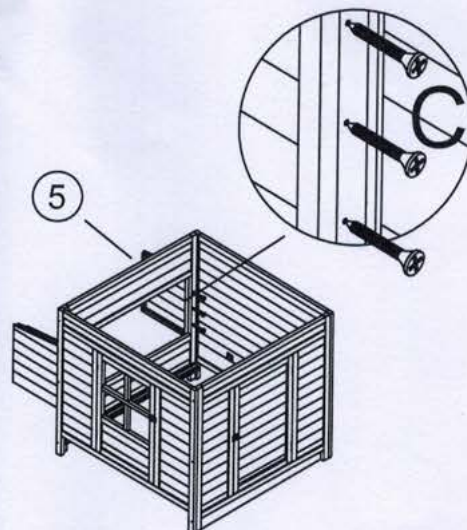
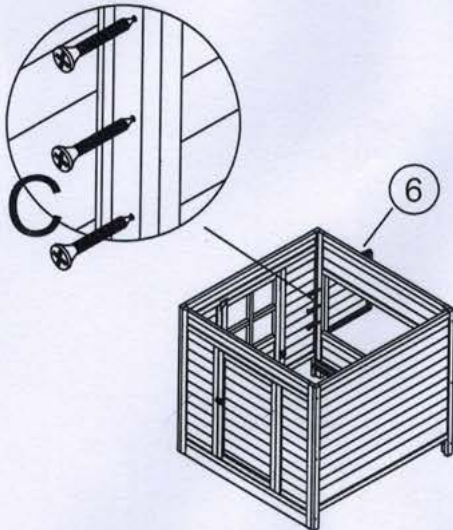
1		1 ks	8		1 ks
2		1 ks	9		1 ks
3		1 ks	10		1 ks
4		1 ks	11		2 ks
5		1 ks	12		1 ks
6		1 ks	13		1 ks
7		1 ks	14		1 ks
			15		1 ks
			16		2 ks
			17		1 ks

18		2 ks	A		3.5*55	13 ks
19		4 ks	B		3.5*45	2 ks
			C		3.5*40	33 ks
20		4 ks	D		3.5*35	12 ks
			E		3.5*30	24 ks
21		1 ks	F		3*16	8 ks
22		1 ks	G		3*10	4 ks
			H			1 ks

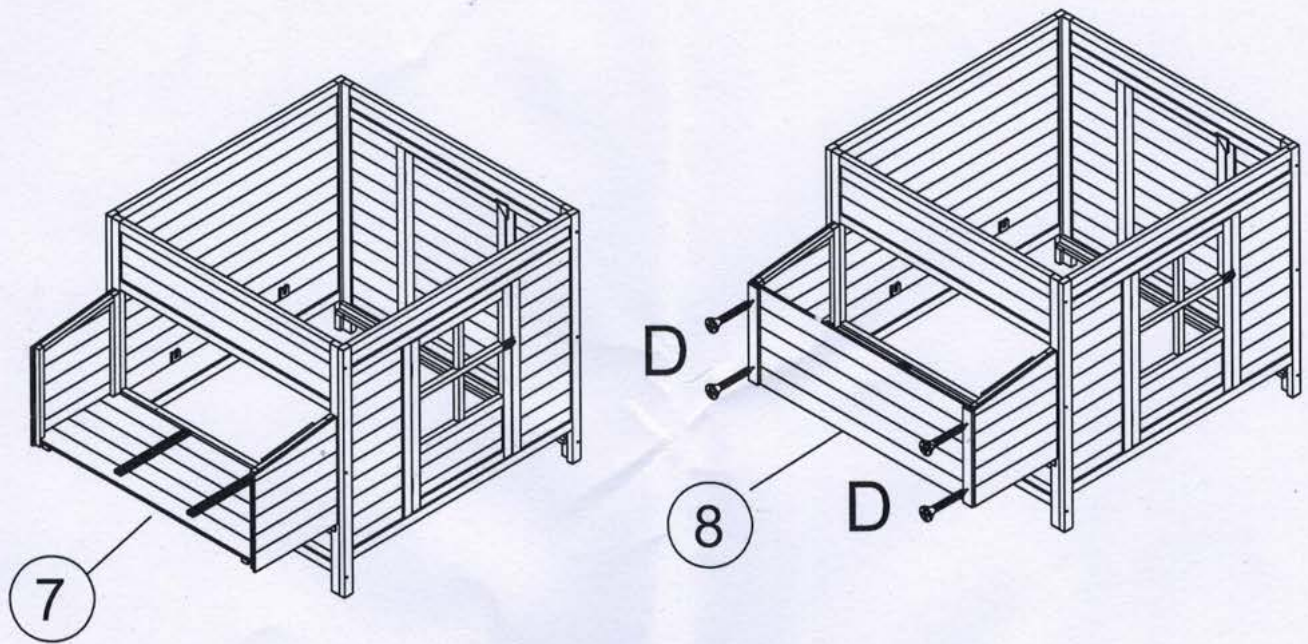
1



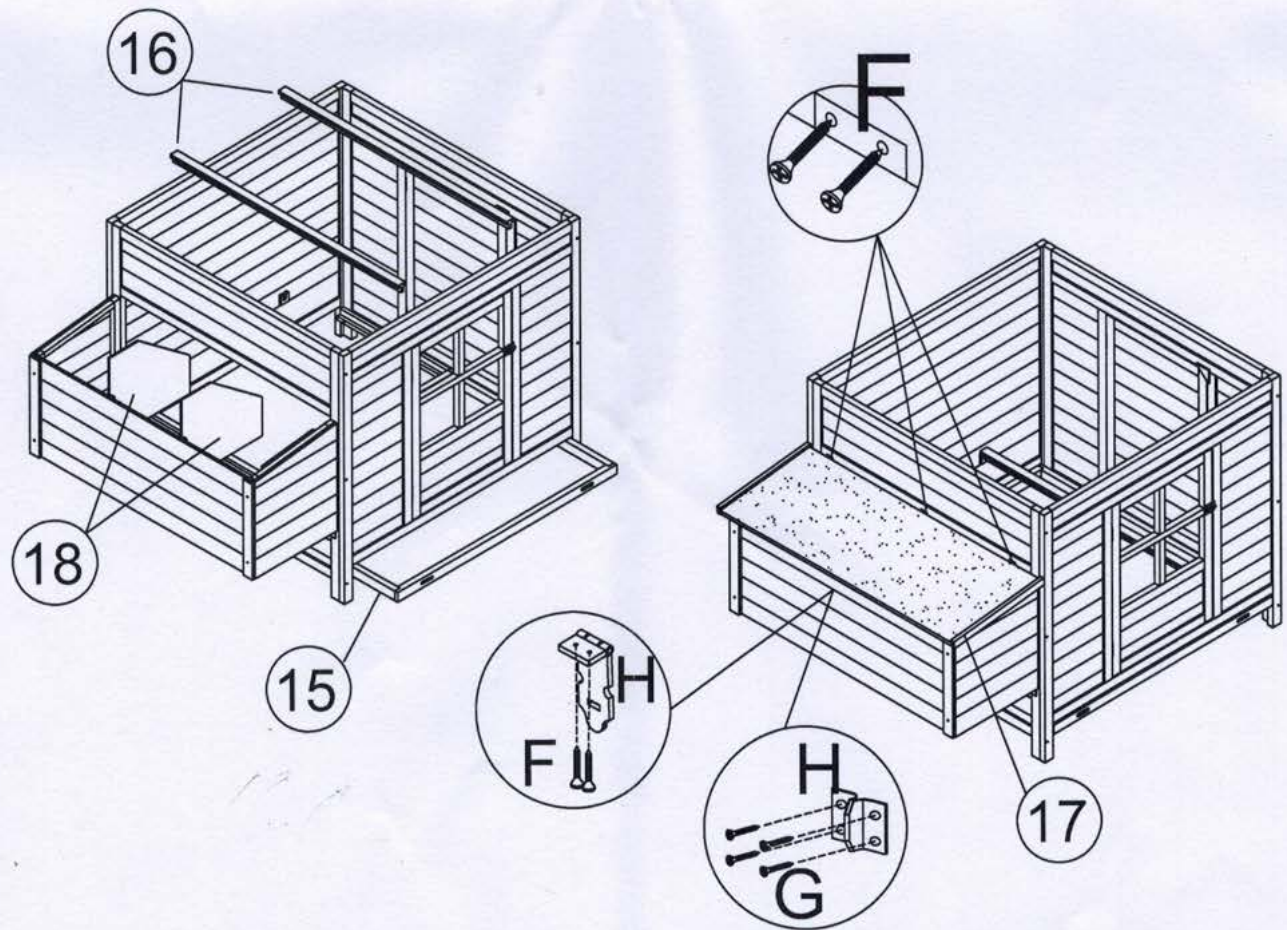
2



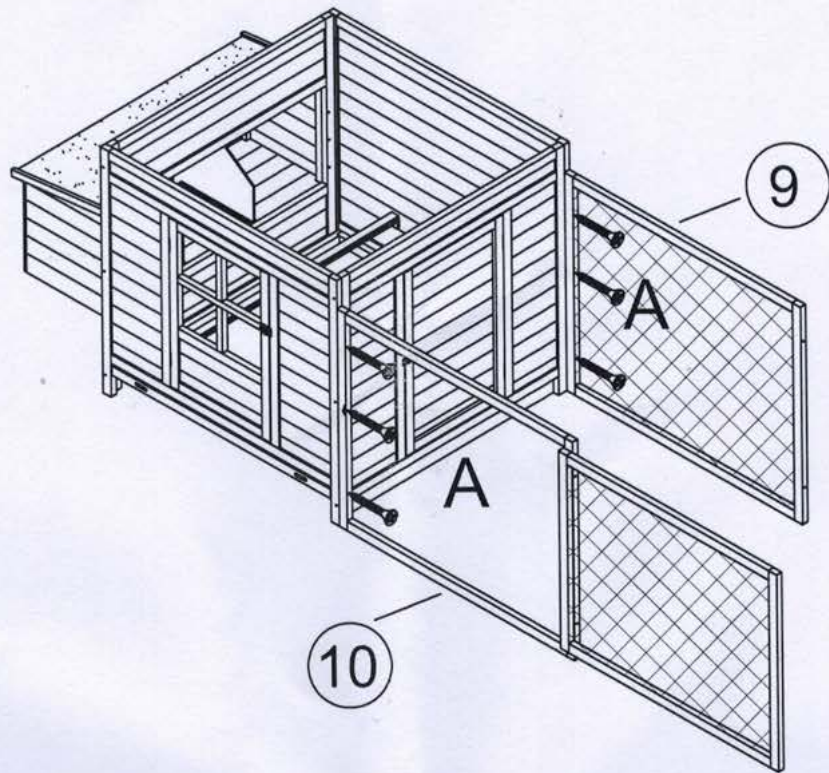
3



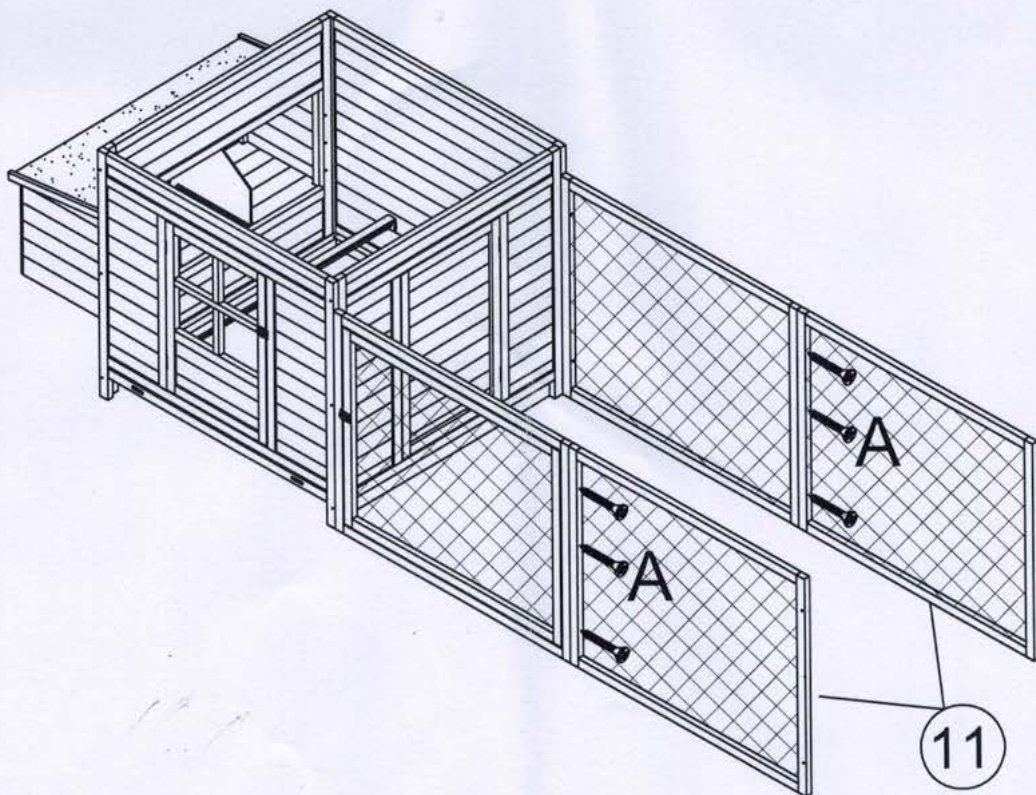
4



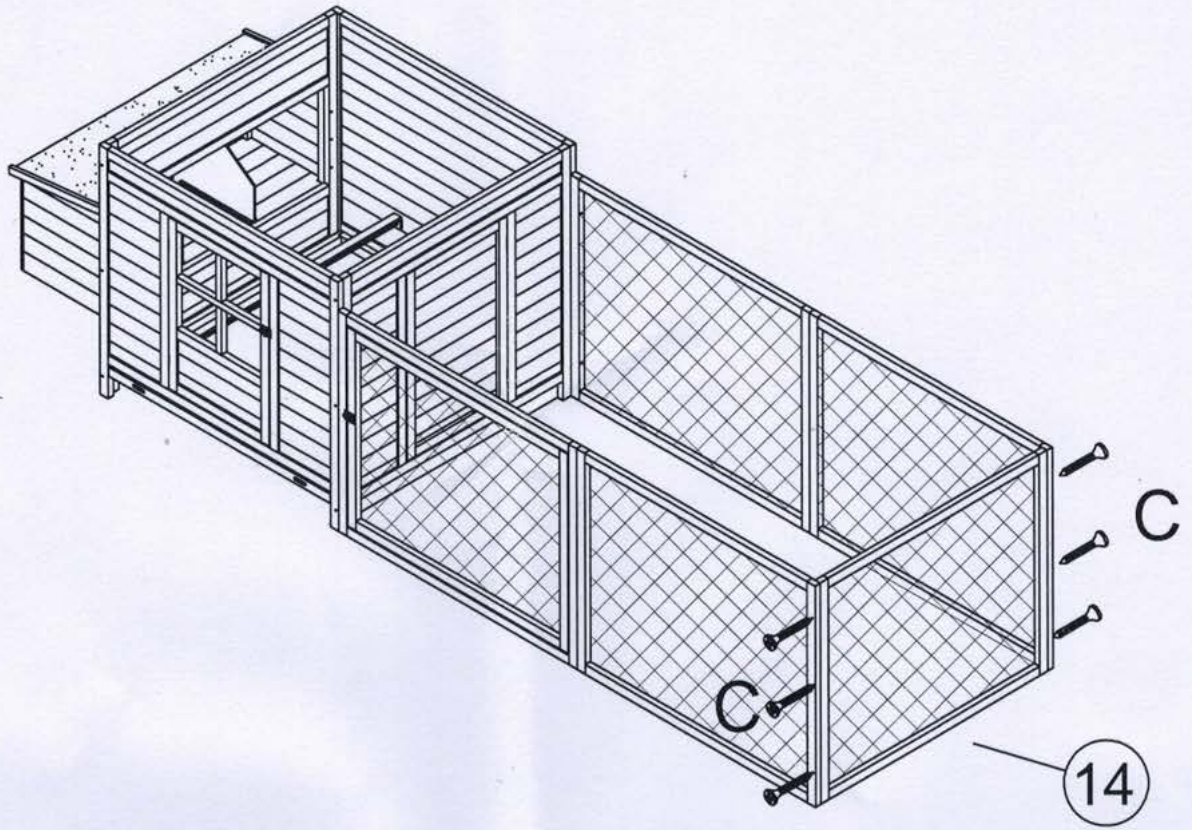
5



6



7



8

